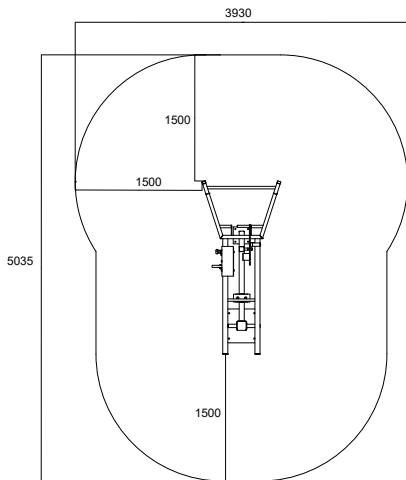
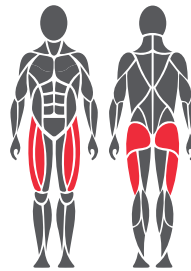


## Use and movement areas



## Target muscles



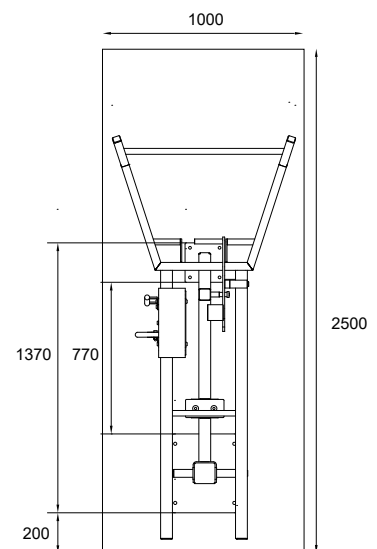
## Foundation



1. For example artificial turf or moldable safety platform max. 20 mm
2. Concrete min. 120 mm below equipments
3. Ground frost insulation, thickness based on the ground

## Concrete casting and positioning

- Length 2500 mm  
Width 1000 mm  
Thickness 120-150 mm
- Ground frost insulation
  - Rebaring
  - Adequate drying time must be ensured



## Product specification

Length	2045 mm
Width	930 mm
Height	1545 mm
Equipment weight	164,4 kg (1 x weight unit) 223,6 kg (2 x weight unit)
User height	+ 140 cm
Age	+ 14
Safety area	16,4 m <sup>2</sup>
Base	surface mounting to concrete
Standard	EN16630
Country of manufacture	Finland
Metal parts	Steel
Movement arm	Stainless steel
Tube strengths	3-6 mm
Coating solution	Zink and powder coating, electropolishing

## Details

- Effective and safe exercise equipment
- Adjustable loading
- Adjustable starting height
- Maintenance-free and protected stainless steel ball bearing
- 20-60 kg (1 x weight unit)
- 20-90 kg (2 x weight unit)
- The product comes as standard in RAL Classic colours 5012 (blue), 1017 (yellow), 3020 (red), 6018 (green) or 7024 (grey). Other RAL colors are available at an additional cost.
- Can be installed on a movable platform

## Important

Installation depth for all Omnigym® units: top surface of the concrete base on the ground level or max. -20 mm allowance for the surface material to be used. (See foundation figure)