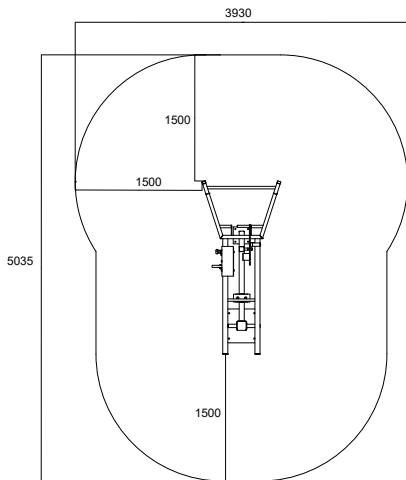
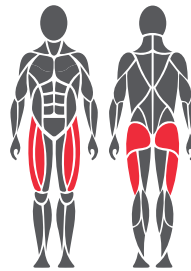


Use and movement areas



Target muscles



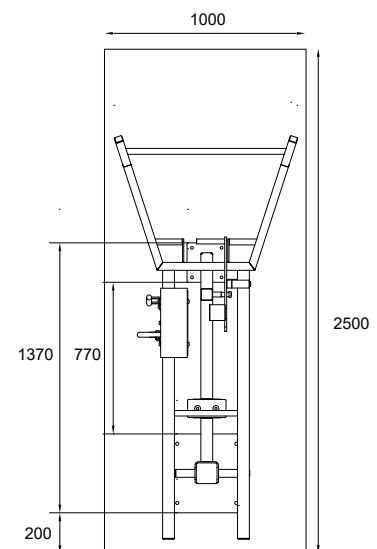
Foundation



1. For example artificial turf or moldable safety platform max. 24 mm
2. Concrete min. 120 mm below equipments
3. Ground frost insulation, thickness based on the ground

Concrete casting and positioning

- Length 2500 mm
Width 1000 mm
Thickness 120-150 mm
- Ground frost insulation
 - Rebaring
 - Adequate drying time must be ensured



Product specification

Length	2045 mm
Width	930 mm
Height	1545 mm
Equipment weight	164,4 kg (1 x weight unit) 223,6 kg (2 x weight unit)
User height	+ 140 cm
Age	+ 14
Safety area	16,4 m ²
Base	surface mounting to concrete
Standard	EN16630
Country of manufacture	Finland
Metal parts	Steel
Movement arm	Stainless steel
Tube strengths	3-6 mm
Coating solution	Zink and powder coating, electropolishing

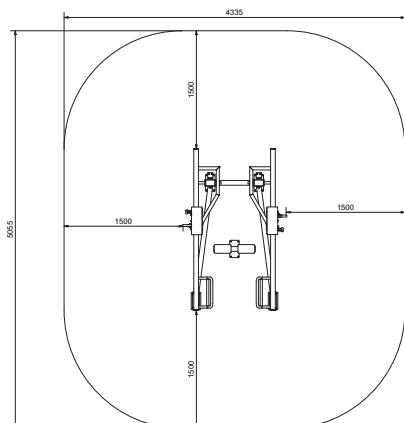
Details

- Effective and safe exercise equipment
- Adjustable loading
- Adjustable starting height
- Multigrip (distance)
- Maintenance-free and protected stainless steel ball bearing
- 15-55 kg (1 x weight unit)
- 10-85 kg (2 x weight unit)
- The product comes as standard in RAL Classic colours RAL 5012 (blue), RAL 1017 (yellow), RAL 3020 (red), RAL 6018 (green) or RAL 7024 (grey). Other RAL colors are available at an additional cost.
- Can be installed on a movable platform
- Bar movement range 83-250 cm

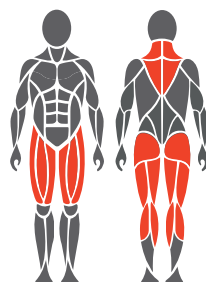
Important

Installation depth for all Omnigym® units: top surface of the concrete base on the ground level or max. -20 mm allowance for the surface material to be used. (See foundation figure)

Use and movement areas



Target muscles



Foundation



1. For example artificial turf or moldable safety platform max. 24 mm
2. Concrete min. 120 mm below equipments
3. Ground frost insulation, thickness based on the ground

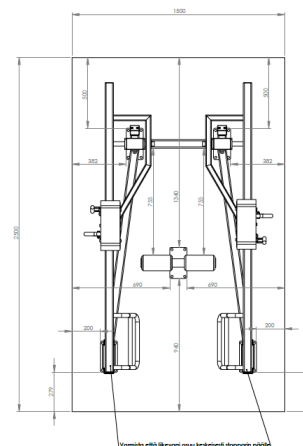
Concrete casting and positioning

Length 2500 mm

Width 1500 mm

Thickness 120-150 mm

- Ground frost insulation
- Rebaring
- Adequate drying time must be ensured



Product specification

Length	2060 mm
Width	1320 mm
Height	655 mm
Equipment weight	280 kg (2x weight unit)
User height	+ 140 cm
Age	+ 14
Safety area	20 m ²
Base	surface mounting to concrete
Standard	EN16630
Country of manufacture	Finland
Metal parts	Steel
Movement arm	Stainless steel
Tube strengths	3-6 mm
Coating solution	Zink and powder coating electropolishing

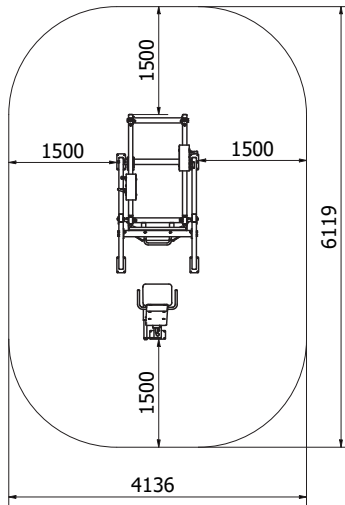
Details

- Effective and safe exercise equipment
- Adjustable loading
- Multigrip (height)
- Leg stand for unilateral exercises
- Maintenance-free and stainless steel ball bearing
- 5-120 kg (2 x weight unit)
- The product comes as standard in RAL Classic colours RAL 5012 (blue), RAL 1017 (yellow), RAL 3020 (red), RAL 6018 (green) or RAL 7024 (grey). Other RAL colors are available at an additional cost. Can be installed on a movable platform

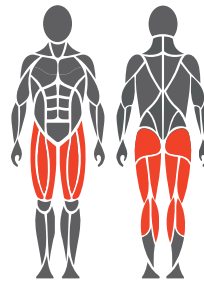
Important

Installation depth for all Omnigym® units: top surface of the concrete base on the ground level or max. -20 mm allowance for the surface material to be used. (See foundation figure)

Use and movement areas



Target muscles



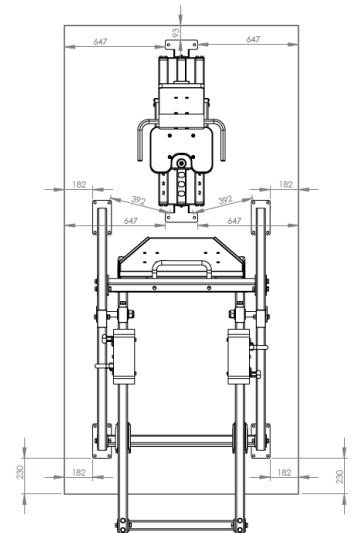
Foundation



1. For example artificial turf or moldable safety platform max. 24 mm
2. Concrete min. 120 mm below equipments
3. Ground frost insulation, thickness based on the ground

Concrete casting and positioning

- Length 3000 mm
Width 1500 mm
Thickness 120-150 mm
- Ground frost insulation
 - Rebaring
 - Adequate drying time must be ensured



Product specification

Length	3120 mm
Width	1140 mm
Height	1770 mm
Equipment weight	425 kg (2x weight unit)
User height	+ 140 cm
Age	+ 14
Safety area	23 m ²
Base	surface mounting to concrete
Standard	EN16630
Country of manufacture	Finland
Metal parts	Steel
Movement arm	Stainless steel
Tube strengths	3-6 mm
Coating solution	Zink and powder coating, electropolishing

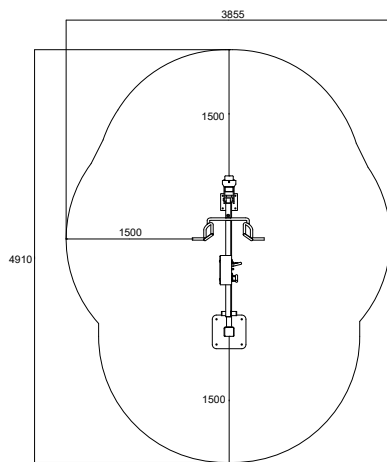
Details

- Effective and safe exercise equipment
- Adjustable loading
- Adjustable seat (distance)
- Maintenance-free stainless steel ball-bearings
- 75 -165 kg (2 x weight unit) with 2,5 kg increments
- The product comes as standard in RAL Classic colours RAL 5012 (blue), RAL 1017 (yellow), RAL 3020 (red), RAL 6018 (green) or RAL 7024 (grey). Other RAL colors are available at an additional cost.
- Can be installed on a movable platform

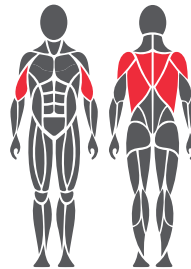
Important

Installation depth for all Omnigym® units: top surface of the concrete base on the ground level or max. -20 mm allowance for the surface material to be used. (See foundation figure)

Use and movement areas



Target muscles



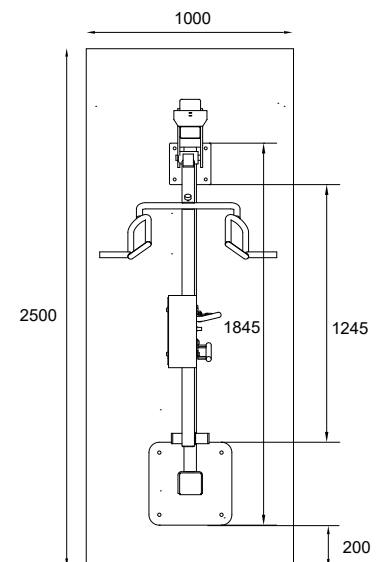
Foundation



1. For example artificial turf or moldable safety platform max. 24 mm
2. Concrete min. 120 mm below equipments
3. Ground frost insulation, thickness based on the ground

Concrete casting and positioning

- Length 2500 mm
Width 1000 mm
Thickness 120-150 mm
- Ground frost insulation
 - Rebaring
 - Adequate drying time must be ensured



Product specification

Length	2055 mm
Width	855 mm
Height	1430 mm
Equipment weight	132 kg (1 x weight unit)
User height	+ 140 cm
Age	+ 14
Safety area	14,3 m ²
Base	surface mounting to concrete
Standard	EN16630
Country of manufacture	Finland
Metal parts	Steel
Movement arm	Stainless steel
Tube strengths	3-6 mm
Coating solution	Zink and powder coating, electropolishing

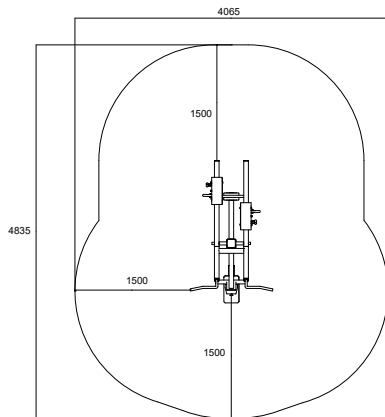
Details

- Effective and safe exercise equipment
- Adjustable loading
- Multigrip handles (height, width)
- Maintenance-free polymer bearings
- Loading 20-70 kg
- The product comes as standard in RAL Classic colours RAL 5012 (blue), RAL 1017 (yellow), RAL 3020 (red), RAL 6018 (green) or RAL 7024 (grey). Other RAL colors are available at an additional cost.
- Can be installed on a movable platform

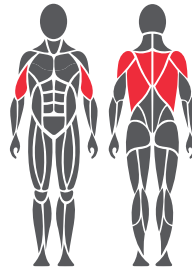
Important

Installation depth for all Omnigym units: top surface of the concrete base on the ground level or max. -20 mm allowance for the surface material to be used. (See foundation figure)

Use and movement areas



Target muscles



Foundation

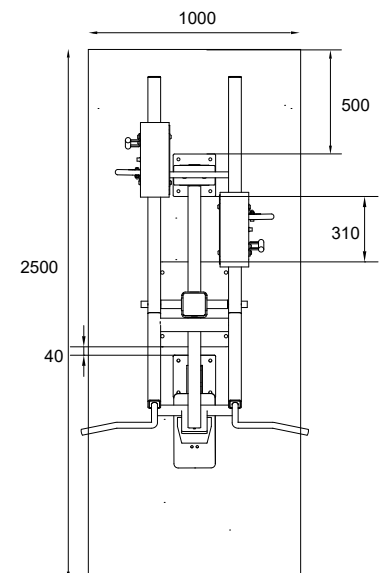


1. For example artificial turf or moldable safety platform max. 24 mm
2. Concrete min. 120 mm below equipments
3. Ground frost insulation, thickness based on the ground

Concrete casting and positioning

Length 2500 mm
 Width 1000 mm
 Thickness 120-150 mm

- Ground frost insulation
- Rebaring
- Adequate drying time must be ensured



Product specification

Length	1845 mm
Width	1070 mm
Height	1820 mm
Equipment weight	207,7 kg (1 x weight unit) 251 kg (2 x weight unit)
User height	+ 140 cm
Age	+ 14
Safety area	15,7 m ²
Base	surface mounting to concrete
Standard	EN16630
Country of manufacture	Finland
Metal parts	Steel
Movement arm	Stainless steel
Tube strengths	3-6 mm
Coating solution	Zink and powder coating, electropolishing

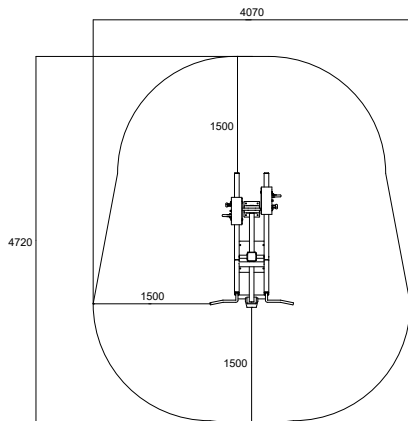
Details

- Effective and safe exercise equipment
- Adjustable loading
- Adjustable seat (height)
- Multigrip (width)
- Maintenance-free and protected stainless steel ball bearing
- 20-60 kg (1 x weight unit)
- 30-105 kg (2 x weight units)
- The product comes as standard in RAL Classic colours RAL 5012 (blue), RAL 1017 (yellow), RAL 3020 (red), RAL 6018 (green) or RAL 7024 (grey). Other RAL colors are available at an additional cost.
- Can be installed on a movable platform

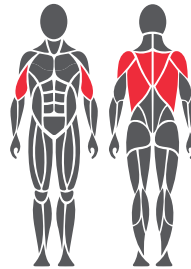
Important

Installation depth for all Omnigym units: top surface of the concrete base on the ground level or max. -20 mm allowance for the surface material to be used. (See foundation figure)

Use and movement areas



Target muscles



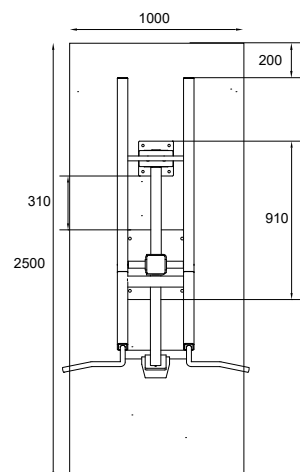
Foundation



1. For example artificial turf or moldable safety platform max. 24 mm
2. Concrete min. 120 mm below equipments
3. Ground frost insulation, thickness based on the ground

Concrete casting and positioning

- Length 2500 mm
Width 1000 mm
Thickness 120-150 mm
- Ground frost insulation
 - Rebaring
 - Adequate drying time must be ensured



Product specification

Length	1690 mm
Width	1070 mm
Height	1575 mm
Equipment weight	185,6 kg (1 x weight unit) 223,6 kg (2 x weight unit)
User height	+ 140 cm
Age	+ 14
Safety area	15,64 m ²
Base	surface mounting to concrete
Standard	EN16630
Country of manufacture	Finland
Metal parts	Steel
Movement arm	Stainless steel
Tube strengths	3-6 mm
Coating solution	Zink and powder coating, electropolishing

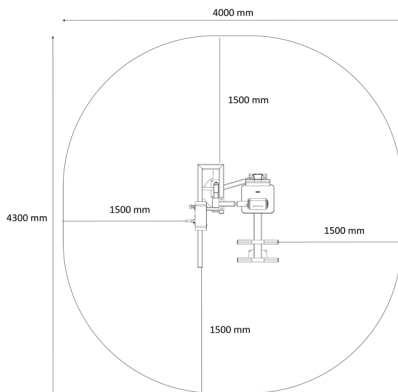
Details

- Effective and safe exercise equipment
- Adjustable loading
- Multigrip (width)
- Maintenance-free and protected stainless steel ball bearing
- 20-60 kg (1 x weight unit)
- 30-105 kg (2 x weight units)
- The product comes as standard in RAL Classic colours RAL 5012 (blue), RAL 1017 (yellow), RAL 3020 (red), RAL 6018 (green) or RAL 7024 (grey). Other RAL colors are available at an additional cost.
- Can be installed on a movable platform

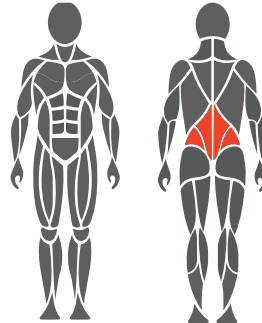
Important

Installation depth for all Omnigym units: top surface of the concrete base on the ground level or max. -20 mm allowance for the surface material to be used. (See foundation figure)

Use and movement areas



Target muscles



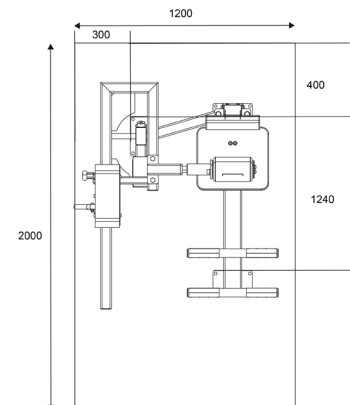
Foundation



1. For example artificial turf or moldable safety platform max. 24 mm
2. Concrete min. 120 mm below equipments
3. Ground frost insulation, thickness based on the ground

Concrete casting and positioning

- Length 2000 mm
Width 1200 mm
Thickness 120-150 mm
- Ground frost insulation
 - Rebaring
 - Adequate drying time must be ensured



Product specification

Length	1265mm
Width	1080 mm
Height	1245 mm
Equipment weight	xxx kg
User height	+ 140 cm
Age	+ 14
Safety area	15,7 m ²
Base	surface mounting to concrete
Standard	EN16630
Country of manufacture	Finland
Metal parts	Steel
Movement arm	Stainless steel
Tube strengths	3-6 mm
Coating solution	Zink and powder coating, electropolishing

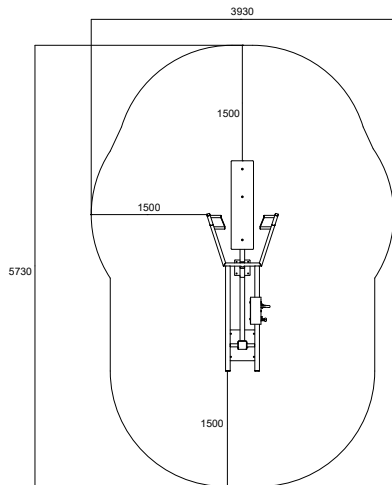
Details

- Effective and safe exercise equipment
- Adjustable loading
- Adjustable seat (height)
- Maintenance-free protected stainless steel ball bearing
- 12,5-70kg with 2,5kg increments (1 x weight unit)
- The product comes as standard in RAL Classic colours RAL 5012 (blue), RAL 1017 (yellow), RAL 3020 (red), RAL 6018 (green) or RAL 7024 (grey). Other RAL colors are available at an additional cost.
- Can be installed on a movable platform

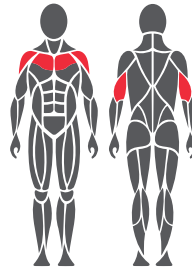
Important

Installation depth for all Omnigym units: top surface of the concrete base on the ground level or max. -20 mm allowance for the surface material to be used. (See foundation figure)

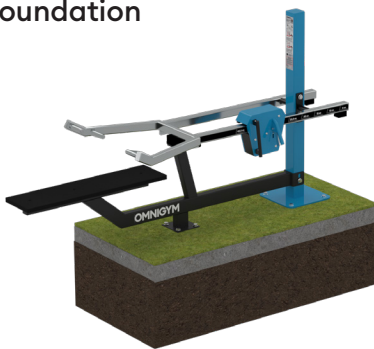
Use and movement areas



Target muscles



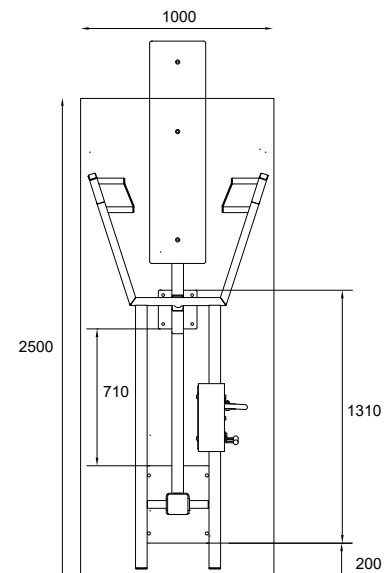
Foundation



1. For example artificial turf or moldable safety platform max. 24 mm
2. Concrete min. 120 mm below equipments
3. Ground frost insulation, thickness based on the ground

Concrete casting and positioning

- Length 2500 mm
Width 1000 mm
Thickness 120-150 mm
- Ground frost insulation
 - Rebaring
 - Adequate drying time must be ensured



Product specification

Length	2730 mm
Width	930 mm
Height	1430 mm
Equipment weight	164,2 kg(1 x weight unit) 223,4 kg (2 x weight unit)
User height	+ 140 cm
Age	+ 14
Safety area	18,1 m ²
Base	surface mounting to concrete
Standard	EN16630
Country of manufacture	Finland
Metal parts	Steel
Movement arm	Stainless steel
Tube strengths	3-6 mm
Coating solution	Zink and powder coating, electropolishing

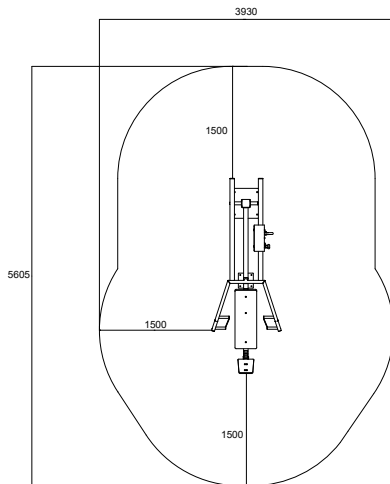
Details

- Effective and safe exercise equipment
- Adjustable loading
- Multigrip (height)
- Maintenance-free and protected stainless steel ball bearing
- 15-55 kg (1 x weight unit)
- 10-85 kg (2 x weight units)
- The product comes as standard in RAL Classic colours RAL 5012 (blue), RAL 1017 (yellow), RAL 3020 (red), RAL 6018 (green) or RAL 7024 (grey). Other RAL colors are available at an additional cost.
- Can be installed on a movable platform

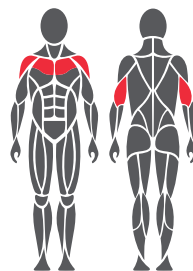
Important

Installation depth for all Omnigym units: top surface of the concrete base on the ground level or max. -20 mm allowance for the surface material to be used. (See foundation figure)

Use and movement areas



Target muscles



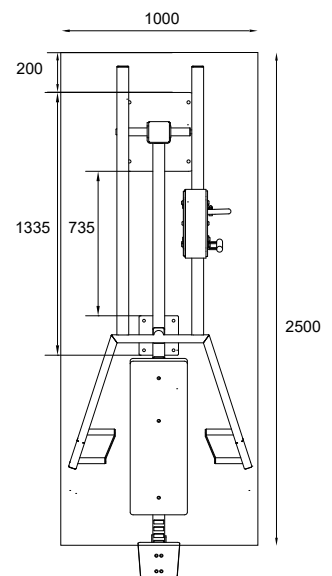
Foundation



1. For example artificial turf or moldable safety platform max. 24 mm
2. Concrete min. 120 mm below equipments
3. Ground frost insulation, thickness based on the ground

Concrete casting and positioning

- Length 2500 mm
Width 1000 mm
Thickness 120-150 mm
- Ground frost insulation
 - Rebaring
 - Adequate drying time must be ensured



Product specification

Length	2610 mm
Width	930 mm
Height	1430 mm
Equipment weight	170,1 kg (1 x weight unit) 229,3 kg (2 x weight unit)
User height	+ 140 cm
Age	+ 14
Safety area	17,6 m ²
Base	surface mounting to concrete
Standard	EN16630
Country of manufacture	Finland
Metal parts	Steel
Movement arm	Stainless steel
Tube strengths	3-6 mm
Coating solution	Zink and powder coating, electropolishing

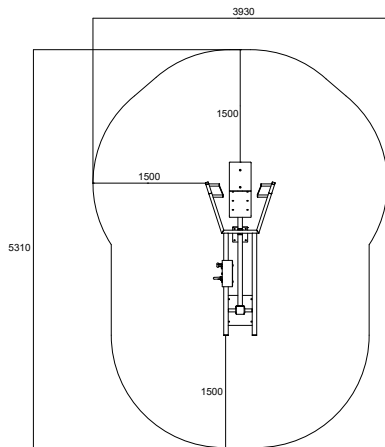
Details

- Effective and safe exercise equipment
- Adjustable loading
- Adjustable seat (height)
- Multigrip (height)
- Maintenance-free and protected stainless steel ball bearing
- 15-55 kg (1 x weight unit)
- 10-85 kg (2 x weight units)
- The product comes as standard in RAL Classic colours RAL 5012 (blue), RAL 1017 (yellow), RAL 3020 (red), RAL 6018 (green) or RAL 7024 (grey). Other RAL colors are available at an additional cost.
- Can be installed on a movable platform

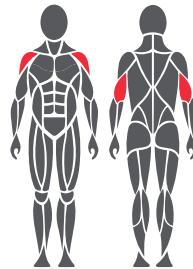
Important

Installation depth for all Omnigym units: top surface of the concrete base on the ground level or max. -20 mm allowance for the surface material to be used. (See foundation figure)

Use and movement areas



Target muscles



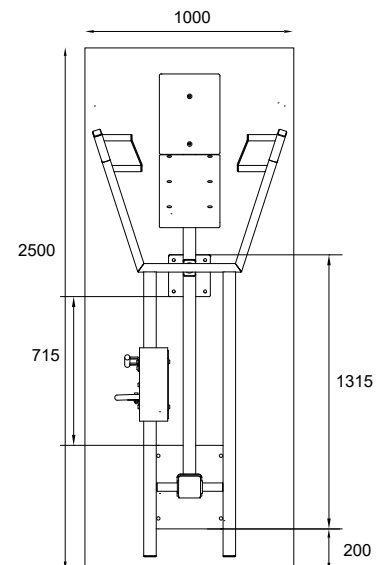
Foundation



1. For example artificial turf or moldable safety platform max. 24 mm
2. Concrete min. 120 mm below equipments
3. Ground frost insulation, thickness based on the ground

Concrete casting and positioning

- Length 2500 mm
Width 1000 mm
Thickness 120-150 mm
- Ground frost insulation
 - Rebaring
 - Adequate drying time must be ensured



Product specification

Length	2310 mm
Width	930 mm
Height	1430mm
Equipment weight	167,8 kg (1 x weight unit) 227 kg (2 x weight unit)
User height	+ 140 cm
Age	+ 14
Safety area	16,9 m ²
Base	surface mounting to concrete
Standard	EN16630
Country of manufacture	Finland
Metal parts	Steel
Movement arm	Stainless steel
Tube strengths	3-6 mm
Coating solution	Zink and powder coating, electropolishing

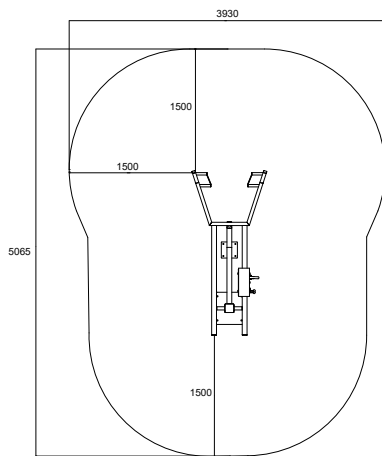
Details

- Effective and safe exercise equipment
- Adjustable loading
- Multigrip (height)
- Maintenance-free and protected stainless steel ball bearing
- 15-55 kg (1 x weight unit)
- 10-85 kg (2 x weight units)
- The product comes as standard in RAL Classic colours RAL 5012 (blue), RAL 1017 (yellow), RAL 3020 (red), RAL 6018 (green) or RAL 7024 (grey). Other RAL colors are available at an additional cost.
- Can be installed on a movable platform

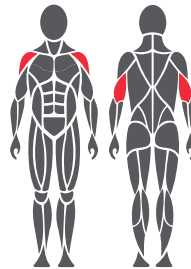
Important

Installation depth for all Omnigym units: top surface of the concrete base on the ground level or max. -20 mm allowance for the surface material to be used. (See foundation figure)

Use and movement areas



Target muscles



Foundation



1. For example artificial turf or moldable safety platform max. 24 mm
2. Concrete min. 120 mm below equipments
3. Ground frost insulation, thickness based on the ground

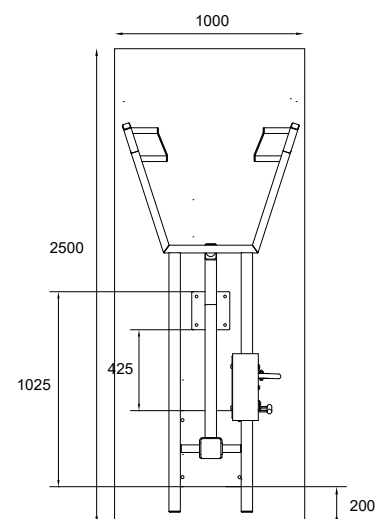
Concrete casting and positioning

Length 2500 mm

Width 1000 mm

Thickness 120-150 mm

- Ground frost insulation
- Rebaring
- Adequate drying time must be ensured



Product specification

Length	2045 mm
Width	930 mm
Height	1430 mm
Equipment weight	140,2 kg (1 x weight unit) 223,6 kg (2x weight unit)
User height	+ 140 cm
Age	+ 14
Safety area	20 m ²
Base	surface mounting to concrete
Standard	EN16630
Country of manufacture	Finland
Metal parts	Steel
Movement arm	Stainless steel
Tube strengths	3-6 mm
Coating solution	Zink and powder coating, electropolishing

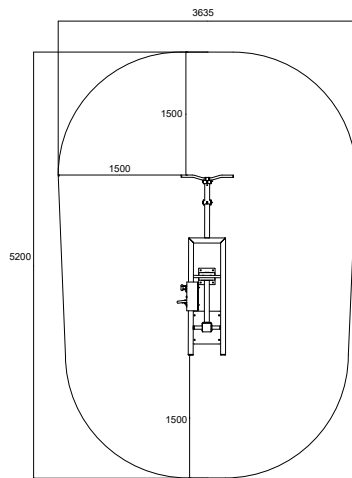
Details

- Effective and safe exercise equipment
- Adjustable loading
- Multigrip (height)
- Maintenance-free and protected stainless steel ball bearing
- 15-55 kg (1 x weight unit)
- 10-85 kg (2 x weight unit)
- The product comes as standard in RAL Classic colours RAL 5012 (blue), RAL 1017 (yellow), RAL 3020 (red), RAL 6018 (green) or RAL 7024 (grey). Other RAL colors are available at an additional cost.
- Can be installed on a movable platform

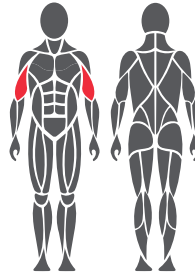
Important

Installation depth for all Omnigym units: top surface of the concrete base on the ground level or max. -20 mm allowance for the surface material to be used. (See foundation figure)

Use and movement areas



Target muscles



Foundation



1. For example artificial turf or moldable safety platform max. 24 mm
2. Concrete min. 120 mm below equipments
3. Ground frost insulation, thickness based on the ground

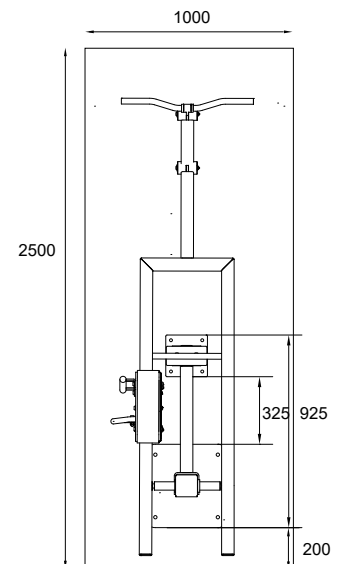
Concrete casting and positioning

Length 2500 mm

Width 1000 mm

Thickness 120-150 mm

- Ground frost insulation
- Rebaring
- Adequate drying time must be ensured



Product specification

Length	2195 mm
Width	675 mm
Height	1430 mm
Equipment weight	143,2 kg (1 x weight unit) 202,4 kg (2x weight unit)
User height	+ 140 cm
Age	+ 14
Safety area	18 m ²
Base	surface mounting to concrete
Standard	EN16630
Country of manufacture	Finland
Metal parts	Steel
Movement arm	Stainless steel
Tube strengths	3-6 mm
Coating solution	Zink and powder coating, electropolishing

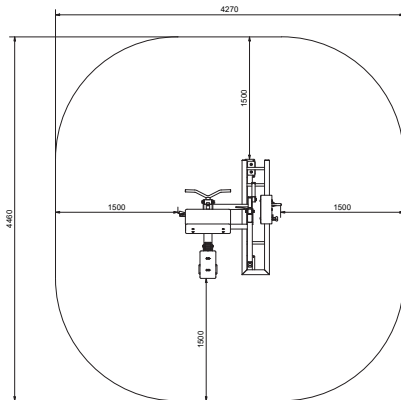
Details

- Effective and safe exercise equipment
- Adjustable loading
- Multigrip (width)
- Maintenance-free and protected stainless steel ball bearing
- 15-47,5 kg (1 x weight unit)
- 12,5-82,5 kg (2 x weight units)
- The product comes as standard in RAL Classic colours RAL 5012 (blue), RAL 1017 (yellow), RAL 3020 (red), RAL 6018 (green) or RAL 7024 (grey). Other RAL colors are available at an additional cost.
- Can be installed on a movable platform

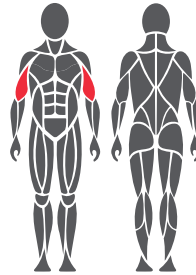
Important

Installation depth for all Omnigym units: top surface of the concrete base on the ground level or max. -20 mm allowance for the surface material to be used. (See foundation figure)

Use and movement areas



Target muscles



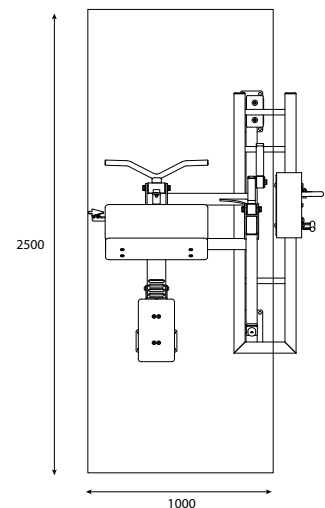
Foundation



1. For example artificial turf or moldable safety platform max. 24 mm
2. Concrete min. 120 mm below equipments
3. Ground frost insulation, thickness based on the ground

Concrete casting and positioning

- Length 2500 mm
Width 1000 mm
Thickness 120-150 mm
- Ground frost insulation
 - Rebaring
 - Adequate drying time must be ensured



Product specification

Length	1460 mm
Width	1260 mm
Height	970 mm
Equipment weight	190 kg (1 x weight unit)
User height	+ 140 cm
Age	+ 14
Safety area	17,1 m ²
Base	surface mounting to concrete
Standard	EN16630
Country of manufacture	Finland
Metal parts	Steel
Movement arm	Stainless steel
Tube strengths	3-6 mm
Coating solution	Zink and powder coating electropolishing

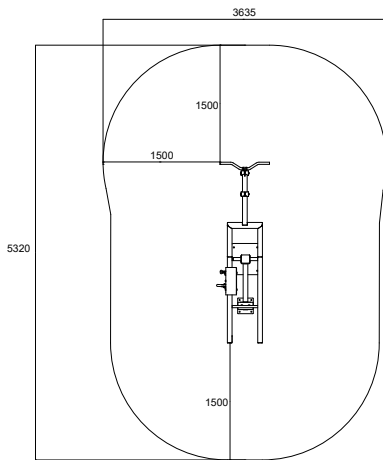
Details

- Effective and safe exercise equipment
- Adjustable loading
- Adjustable seat (height)
- Multigrip (width)
- Maintenance-free and stainless steel ball bearing
- 12,5-70 kg (1 x weight unit)
- The product comes as standard in RAL Classic colours RAL 5012 (blue), RAL 1017 (yellow), RAL 3020 (red), RAL 6018 (green) or RAL 7024 (grey). Other RAL colors are available at an additional cost.
- Can be installed on a movable platform

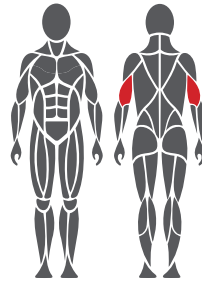
Important

Installation depth for all Omnigym® units: top surface of the concrete base on the ground level or max. -20 mm allowance for the surface material to be used. (See foundation figure)

Use and movement areas



Target muscles



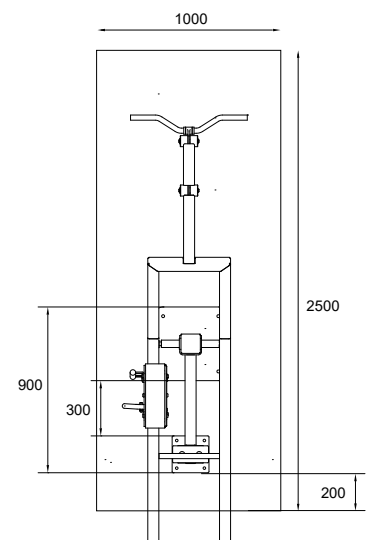
Foundation



1. For example artificial turf or moldable safety platform max. 24 mm
2. Concrete min. 120 mm below equipments
3. Ground frost insulation, thickness based on the ground

Concrete casting and positioning

- Length 2500 mm
Width 1000 mm
Thickness 120-150 mm
- Ground frost insulation
 - Rebaring
 - Adequate drying time must be ensured



Product specification

Length	2320 mm
Width	670 mm
Height	1970 mm
Equipment weight	152,8 kg (1 x weight unit)
User height	+ 140 cm
Age	+ 14
Safety area	17,5 m ²
Base	surface mounting to concrete
Standard	EN16630
Country of manufacture	Finland
Metal parts	Steel
Movement arm	Stainless steel
Tube strengths	3-6 mm
Coating solution	Zink and powder coating, electropolishing

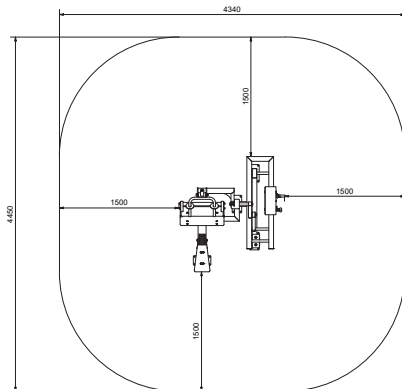
Details

- Effective and safe exercise equipment
- Adjustable loading
- Multigrip (width)
- Maintenance-free and protected stainless steel ball bearing
- 12.5-60 kg (1 x weight unit)
- The product comes as standard in RAL Classic colours RAL 5012 (blue), RAL 1017 (yellow), RAL 3020 (red), RAL 6018 (green) or RAL 7024 (grey). Other RAL colors are available at an additional cost.
- Can be installed on a movable platform

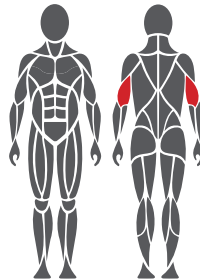
Important

Installation depth for all Omnigym units: top surface of the concrete base on the ground level or max. -20 mm allowance for the surface material to be used. (See foundation figure)

Use and movement areas



Target muscles



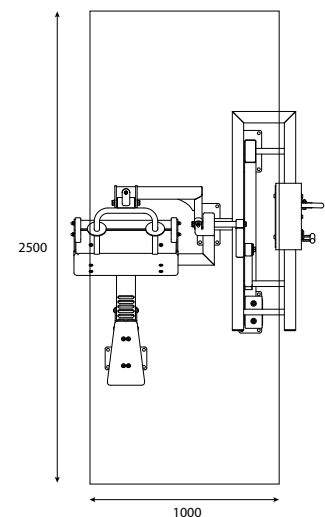
Foundation



1. For example artificial turf or moldable safety platform max. 24 mm
2. Concrete min. 120 mm below equipments
3. Ground frost insulation, thickness based on the ground

Concrete casting and positioning

- Length 2000 mm
Width 1000 mm
Thickness 120-150 mm
- Ground frost insulation
 - Rebaring
 - Adequate drying time must be ensured



Product specification

Length	1450 mm
Width	1310 mm
Height	1210 mm
Equipment weight	190 kg (1 x weight unit)
User height	+ 140 cm
Age	+ 14
Safety area	17,4 m ²
Base	surface mounting to concrete
Standard	EN16630
Country of manufacture	Finland
Metal parts	Steel
Movement arm	Stainless steel
Tube strengths	3-6 mm
Coating solution	Zink and powder coating electropolishing

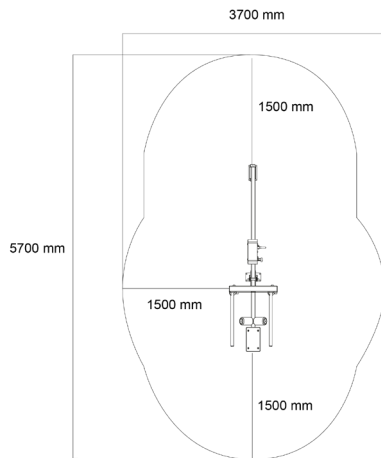
Details

- Effective and safe exercise equipment
- Adjustable loading
- Adjustable seat (height)
- Maintenance-free and stainless steel ball bearing
- 5-50 kg (1 x weight unit)
- The product comes as standard in RAL Classic colours RAL 5012 (blue), RAL 1017 (yellow), RAL 3020 (red), RAL 6018 (green) or RAL 7024 (grey). Other RAL colors are available at an additional cost.
- Can be installed on a movable platform

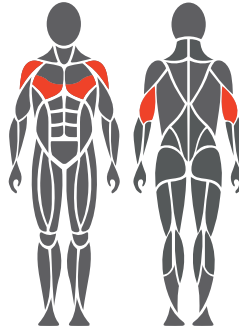
Important

Installation depth for all Omnigym® units: top surface of the concrete base on the ground level or max. -20 mm allowance for the surface material to be used. (See foundation figure)

Use and movement areas



Target muscles



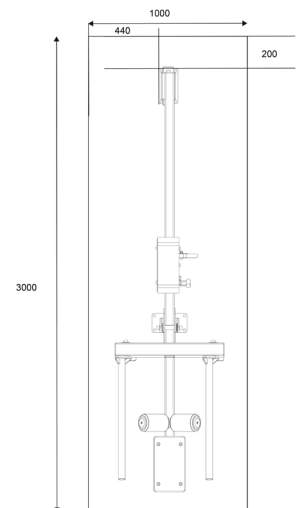
Foundation



1. For example artificial turf or moldable safety platform max. 24 mm
2. Concrete min. 120 mm below equipments
3. Ground frost insulation, thickness based on the ground

Concrete casting and positioning

- Length 3000 mm
Width 1000 mm
Thickness 120-150 mm
- Ground frost insulation
 - Rebaring
 - Adequate drying time must be ensured



Product specification

Length	2680 mm
Width	690 mm
Height	930 mm
Equipment weight	xxx kg
User height	+ 140 cm
Age	+ 14
Safety area	16,7 m ²
Base	surface mounting to concrete
Standard	EN16630
Country of manufacture	Finland
Metal parts	Steel
Movement arm	Stainless steel
Tube strengths	3-6 mm
Coating solution	Zink and powder coating, electropolishing

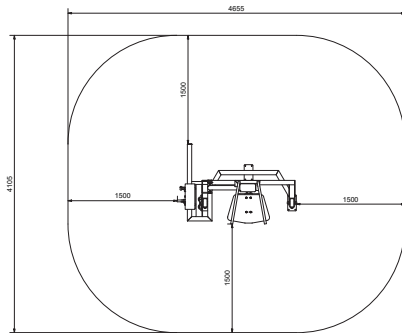
Details

- Effective and safe exercise equipment
- Adjustable loading
- Adjustable grip width
- Maintenance-free protected stainless steel ball bearing
- 17,5-80kg with 2,5kg increments (1 x weight unit)
- The product comes as standard in RAL Classic colours RAL 5012 (blue), RAL 1017 (yellow), RAL 3020 (red), RAL 6018 (green) or RAL 7024 (grey). Other RAL colors are available at an additional cost.
- Can be installed on a movable platform

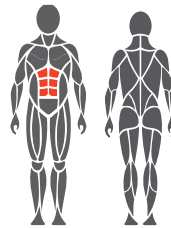
Important

Installation depth for all Omnigym units: top surface of the concrete base on the ground level or max. -20 mm allowance for the surface material to be used. (See foundation figure)

Use and movement areas



Target muscles



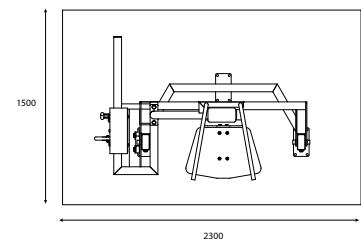
Foundation



1. For example artificial turf or moldable safety platform max. 24 mm
2. Concrete min. 120 mm below equipments
3. Ground frost insulation, thickness based on the ground

Concrete casting and positioning

- Length 2300 mm
Width 1800 mm
Thickness 120-150 mm
- Ground frost insulation
 - Rebaring
 - Adequate drying time must be ensured



Product specification

Length	1090 mm
Width	1650 mm
Height	1520 mm
Equipment weight	167 kg
User height	+ 140 cm
Age	+ 14
Safety area	17,2 m ²
Base	surface mounting to concrete
Standard	EN16630
Country of manufacture	Finland
Metal parts	Steel
Tube strengths	3-6 mm
Coating solution	Zink and powder coating

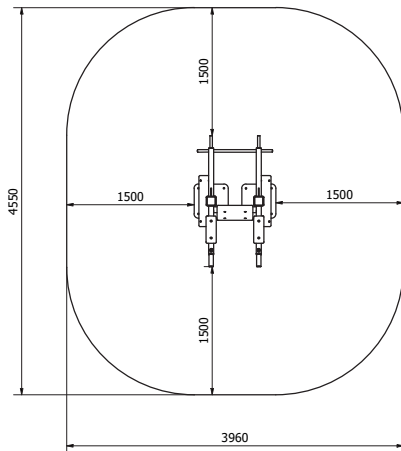
Details

- Effective and safe exercise equipment
- Maintenance-free and stainless steel ball bearing
- 5-75 kg (1 x weight unit)
- The product comes as standard in RAL Classic colours RAL 5012 (blue), RAL 1017 (yellow), RAL 3020 (red), RAL 6018 (green) or RAL 7024 (grey). Other RAL colors are available at an additional cost.
- Can be installed on a movable platform

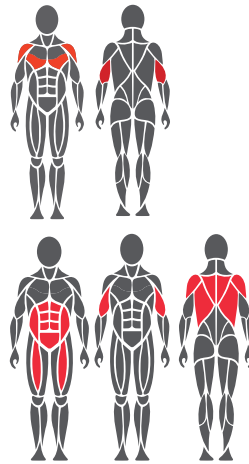
Important

Installation depth for all Omnigym® units: top surface of the concrete base on the ground level or max. -20 mm allowance for the surface material to be used. (See foundation figure)

Use and movement areas



Target muscles



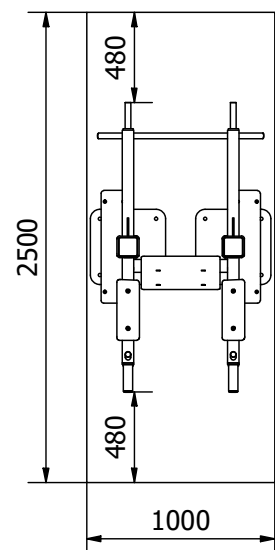
Foundation



1. Must be equipped with impact damping ground surface such as: a) artificial grass + padding, b) safety tiles or c) topsoil
2. Concrete min. 120 mm below equipments
3. Ground frost insulation, thickness based on the ground

Concrete casting and positioning

- Length 2500 mm
Width 1000 mm
Thickness 120-150 mm
- Ground frost insulation
 - Rebaring
 - Adequate drying time must be ensured



Product specification

Length	1540 mm
Width	960 mm
Height	2274 mm
Equipment weight	167 kg
User height	+ 140 cm
Age	+ 14
Safety area	16 m ²
Base	surface mounting to concrete
Standard	EN16630
Country of manufacture	Finland
Metal parts	Steel
Tube strengths	3-6 mm
Coating solution	Zink and powder coating

Details

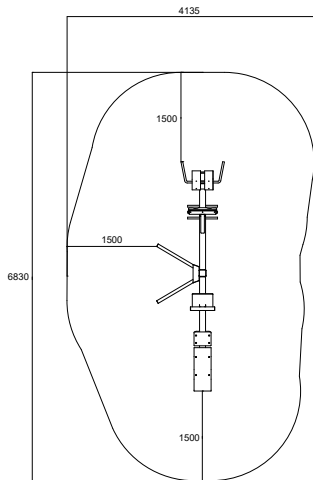
- Effective and safe exercise equipment
- Structural black
- Multigrip (width, height)
- The product comes as standard in RAL Classic colours RAL 5012 (blue), RAL 1017 (yellow), RAL 3020 (red), RAL 6018 (green) or RAL 7024 (grey). Other RAL colors are available at an additional cost.
- OG95 can be installed on a movable safety platform. See product card OGMPS.

Important

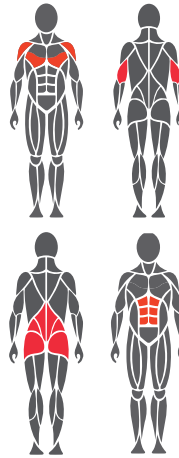
Installation depth for all Omnigym® units: top surface of the concrete base on the ground level or max. -20 mm allowance for the surface material to be used. (See foundation figure)

Bar height 2199 mm. Max. free fall height 1199 mm (EN16630).

Use and movement areas



Target muscles



Foundation



1. For example artificial turf or moldable safety platform max. 24 mm
2. Concrete min. 120 mm below equipments
3. Ground frost insulation, thickness based on the ground

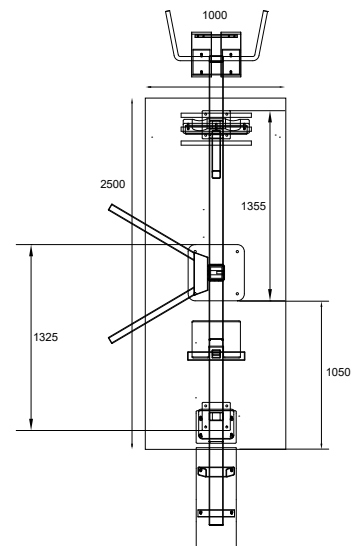
Concrete casting and positioning

Length 2500 mm

Width 1000 mm

Thickness 120-150 mm

- Ground frost insulation
- Rebaring
- Adequate drying time must be ensured



Product specification

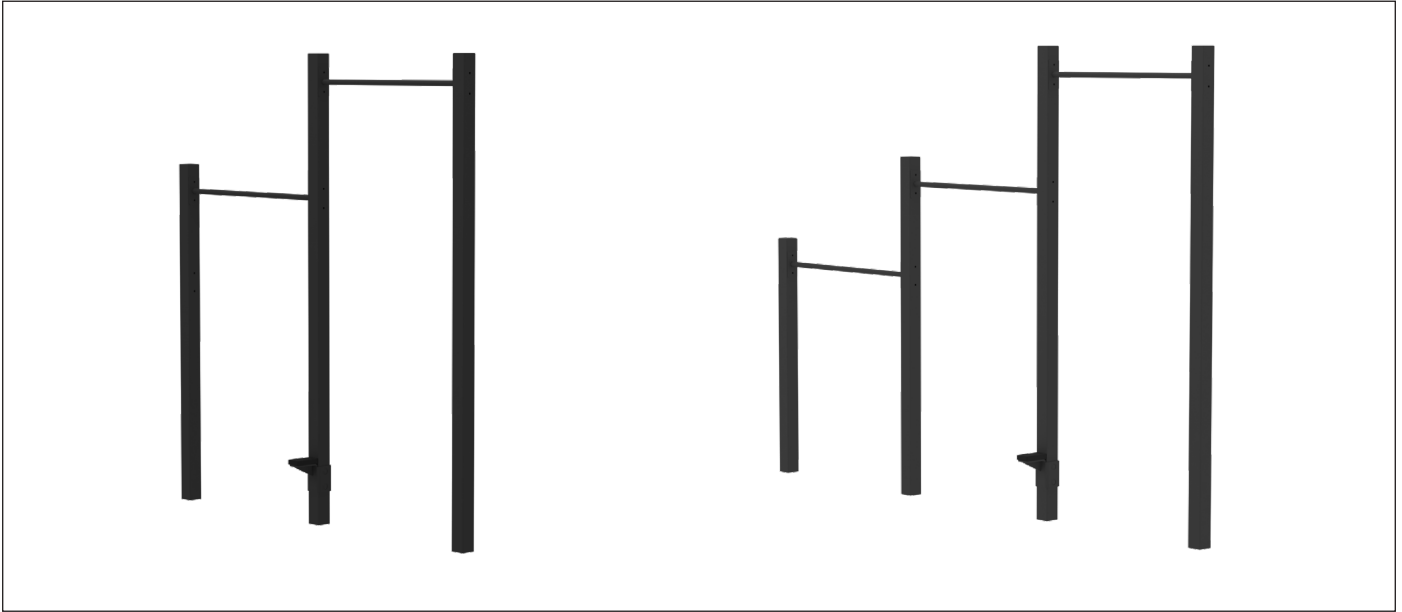
Length	3830 mm
Width	1135 mm
Height	1430 mm
Equipment weight	141,2 kg
User height	+ 140 cm
Age	+ 14
Safety area	23,3 m ²
Base	surface mounting to concrete
Standard	EN16630
Country of manufacture	Finland
Metal parts	steel
Tube strengths	3-6 mm
Coating solution	Zink and powder coating

Details

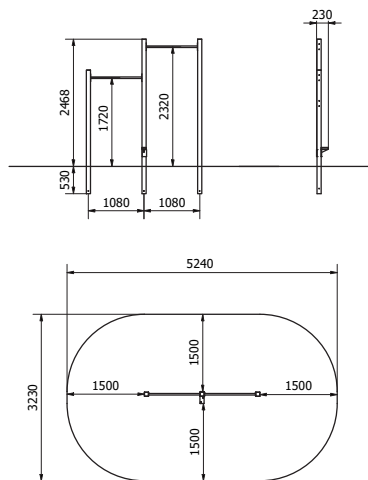
- Effective and safe exercise equipment
- Back Extension, Dip Bars and Abdominal Bench
- The product comes as standard in RAL Classic colours RAL 5012 (blue), RAL 1017 (yellow), RAL 3020 (red), RAL 6018 (green) or RAL 7024 (grey). Other RAL colors are available at an additional cost.
- Can be installed on a movable platform

Important

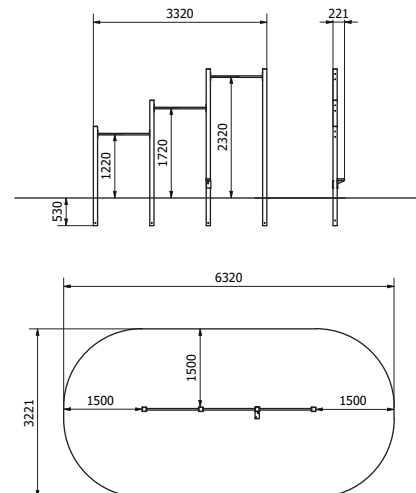
Installation depth for all Omnigym units: top surface of the concrete base on the ground level or max. -20 mm allowance for the surface material to be used. (See foundation figure)



Use and movement areas



Use and movement areas



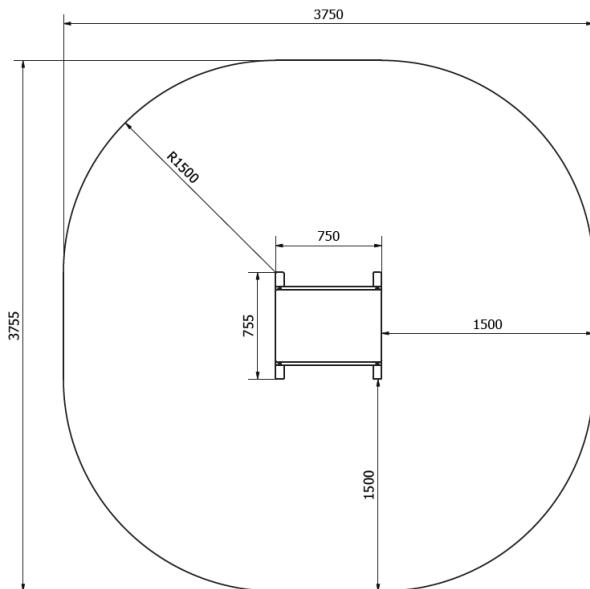
Product specification

Length	221 mm
Width	2160 / 3320 mm
Height	1220 / 1720 / 2320 mm
Equipment weight	xxx kg
User height	+ 140 cm
Age	+ 14
Safety area	15,7 m ²
Base	inground mounting
Standard	EN16630
Country of manufacture	Finland
Metal parts	Steel
Tube strengths	3-6 mm
Diameter of the bar	30 mm
Coating solution	Zink and powder coating

Details

- Effective and safe exercise equipment
- The product comes as standard in RAL Classic colours RAL 5012 (blue), RAL 1017 (yellow), RAL 3020 (red), RAL 6018 (green) or RAL 7024 (grey). Other RAL colors are available at an additional cost.
- 2 or 3 heights
- Structure black bar
- Bar max height 2320mm. Max free fall height 1320mm (EN16630).
- Safety area must be equipped with impact damping ground surface such as lawn, safety tile or artificial grass + padding.

Use and movement areas



Product

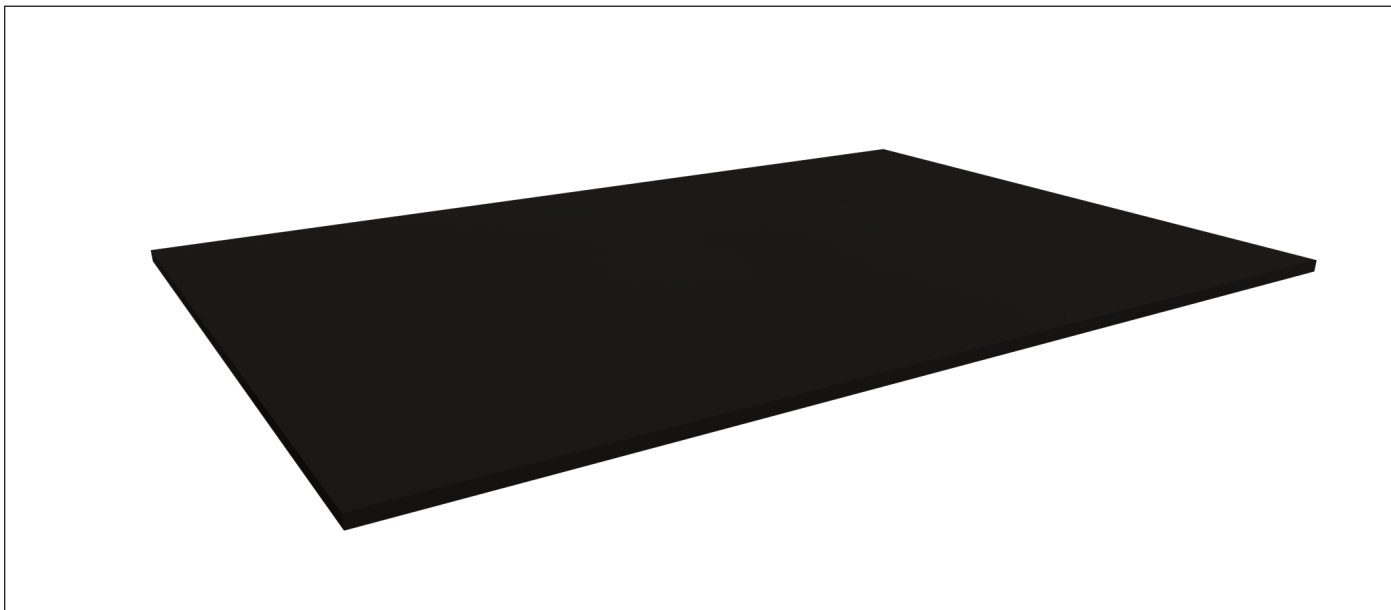


Product specification

Length	755 mm
Width	750 mm
Height	300-1000 mm
Safety area	12,2 m ²
Base	surface mounting to concrete
Standard	EN16630
Country of manufacture	Finland
Metal parts	steel
Coating solution	Zink and powder coating

Details

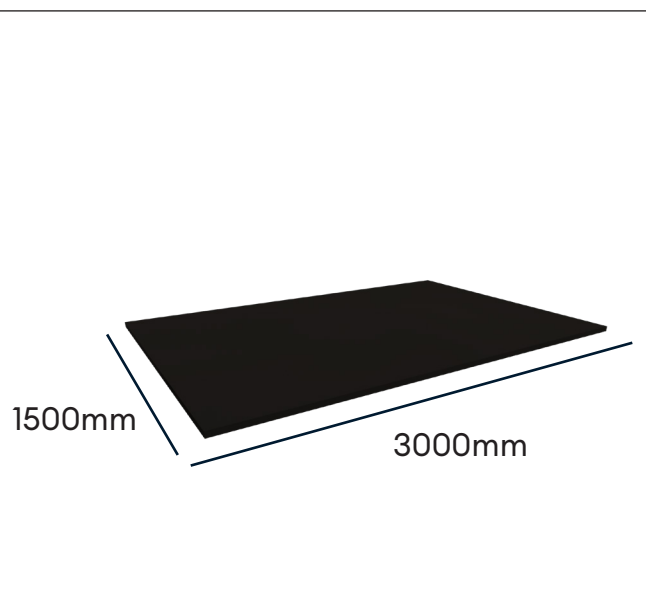
- Available in five heights:
- OGPB300 300mm,
- OGPB450 450mm,
- OGPB600 600mm,
- OGPB750 750mm,
- OGPB1000 1000mm
- Does not require a special foundation, provided the ground is level.
- Max allowed deviation is 2mm at 1000mm distance



Foundation



NOTE! Ground level has to be straight.

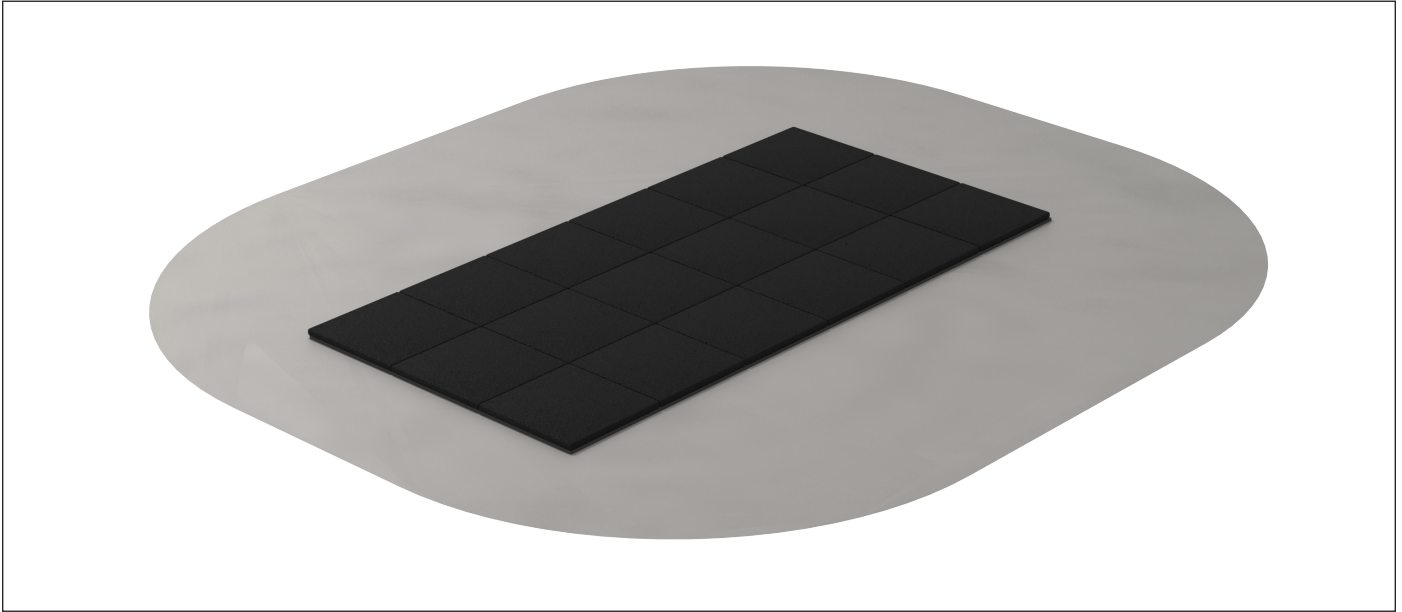


Product specification

Length	3000 mm
Width	1500 mm
Thickness	30mm
Equipment weight	140 kg
Standard	EN16630
Country of manufacture	Finland
Structure	Birch veneer
Surface coating solution	Polyurethane coating

Details

- Fast and easy to instal
- Easily endorsable
- No need for special foundation, if ground level is straight
- Max allowed deviation is 2mm at 1000mm distance
- Anti-slip
- Suitable for:
OG10, OG12, OG14, OG23, OG24, OG26, OG30, OG31, OG41, OG70, OG72 OG80, OG82, OG85, OG92, OGC7

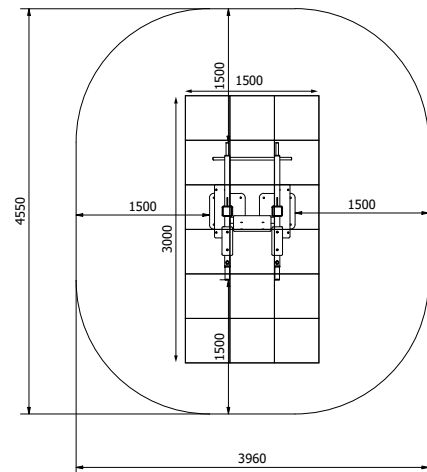


Foundation



NOTE! Ground level has to be straight.

Use area



Product specification

Length	3000 mm
Width	1500 mm
Thickness	30mm + 40 mm
Equipment weight	255 kg
Standard	EN16630
Country of manufacture	Finland
Structure	Birch veneer
Surface coating solution	Polyurethane coating + 18 pcs 500x500 mm safety tile 40mm thick

Details

- Fast and easy to instal
- Easily endorsable
- No need for special foundation, if ground level is straight
- Max allowed deviation is 2mm at 1000mm distance
- Anti-slip
- Suitable for OG95
- Safety area outside of the platform must be equipped with impact damping ground surface (e.g. topsoil)

For following equipment

OG 10 Squat,
OG24 Lat Pulldown,
OGFA24 Free Access Lat Pulldown,
OG30 Bench Press,
OG31 Incline Bench Press,
OG41 Front Press,
OGFA41 Free Access Front Press,
OG70 Biceps Curl



Product specification

Standard	EN16630
Country of manufacture	Finland
Metal parts	steel
Rolls	4-6 mm
Bearings	Zink and powder coating

Details

- Effective and safe exercise equipment
- The product comes as standard in RAL Classic colours RAL 5012 (blue), RAL 1017 (yellow), RAL 3020 (red), RAL 6018 (green) or RAL 7024 (grey). Other RAL colors are available at an additional cost.

Important

Installation depth for all Omnigym® units: top surface of the concrete base on the ground level or max. -20 mm allowance for the surface material to be used. (See foundation figure)