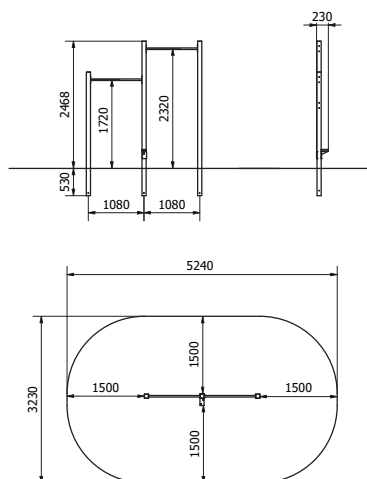
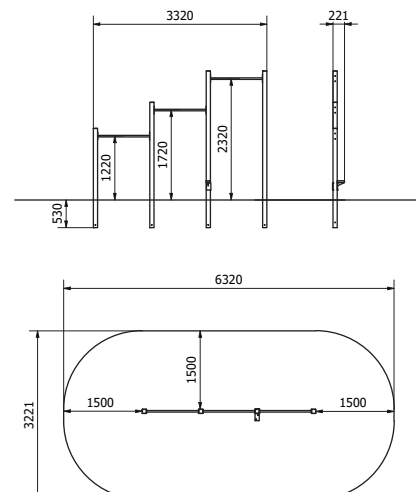


Use and movement areas



Use and movement areas



Product specification

Length	221 mm
Width	2160 / 3320 mm
Height	1220 / 1720 / 2320 mm
Equipment weight	69,7 / 86,7 kg
User height	+ 140 cm
Age	+ 14
Safety area	15,7 m ²
Base	inground mounting
Standard	EN16630
Country of manufacture	Finland
Metal parts	Steel
Tube strengths	3-6 mm
Diameter of the bar	30 mm
Coating solution	Zink and powder coating

Details

- Effective and safe exercise equipment
- The product comes as standard in RAL Classic colours RAL 5012 (blue), RAL 1017 (yellow), RAL 3020 (red), RAL 6018 (green) or RAL 7024 (grey). Other RAL colors are available at an additional cost.
- 2 or 3 heights
- Structure black bar
- Bar max height 2320mm. Max free fall height 1320mm (EN16630).
- Safety area must be equipped with impact damping ground surface such as lawn, safety tile or artificial grass + padding.