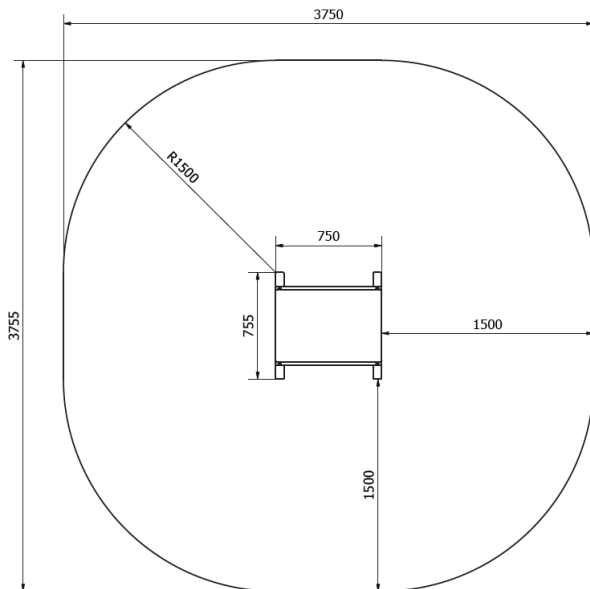


Use and movement areas



Product



Product specification

Length	755 mm
Width	750 mm
Height	300-1000 mm
Safety area	12,2 m ²
Base	surface mounting to concrete
Standard	EN16630
Country of manufacture	Finland
Metal parts	steel
Coating solution	Zink and powder coating

Details

- Available in five heights:
- OGPB300 300mm,
- OGPB450 450mm,
- OGPB600 600mm,
- OGPB750 750mm,
- OGPB1000 1000mm
- Does not require a special foundation, provided the ground is level.
- Max allowed deviation is 2mm at 1000mm distance