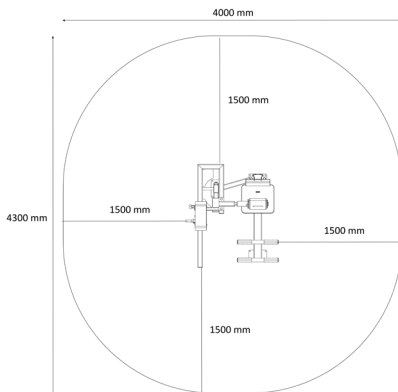
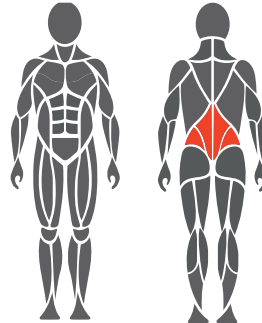


### Use and movement areas



### Target muscles



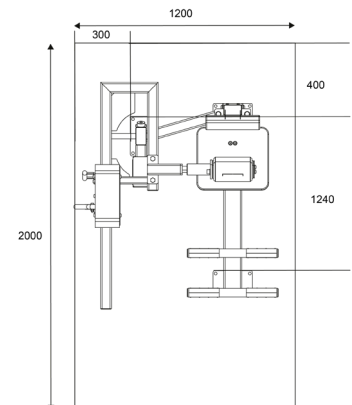
### Foundation



1. For example artificial turf or moldable safety platform max. 20 mm
2. Concrete min. 120 mm below equipments
3. Ground frost insulation, thickness based on the ground

### Concrete casting and positioning

- Length 2000 mm  
Width 1200 mm  
Thickness 120-150 mm
- Ground frost insulation
  - Rebaring
  - Adequate drying time must be ensured



### Product specification

Length	1265mm
Width	1080 mm
Height	1245 mm
Equipment weight	xxx kg
User height	+ 140 cm
Age	+ 14
Safety area	15,7 m <sup>2</sup>
Base	surface mounting to concrete
Standard	EN16630
Country of manufacture	Finland
Metal parts	Steel
Movement arm	Stainless steel
Tube strengths	3-6 mm
Coating solution	Zink and powder coating, electropolishing

### Details

- Effective and safe exercise equipment
- Adjustable loading
- Adjustable seat (height)
- Maintenance-free protected stainless steel ball bearing
- 12,5-70kg with 2,5kg increments (1 x weight unit)
- The product comes as standard in RAL Classic colours RAL 5012 (blue), RAL 1017 (yellow), RAL 3020 (red), RAL 6018 (green) or RAL 7024 (grey). Other RAL colors are available at an additional cost.
- Can be installed on a movable platform

### Important

Installation depth for all Omnigym units: top surface of the concrete base on the ground level or max. -20 mm allowance for the surface material to be used. (See foundation figure)